

PREPARE THE DOOR OPENER FOR INSTALLATION

1 REMOVE THE DOOR OPENER COVER

- Unscrew the cover's 8 screws (#8-32 x 3/8"). Set aside the screws for Door Opener Cover reinstallation at a later step.

UNMOUNT THE MOTOR MECHANISM

- Unscrew the 5 self-clenching nuts (5/16") that hold the Motor Mechanism to the Base Plate. Set aside the self-clenching nuts for Motor Mechanism reinstallation at a later step.

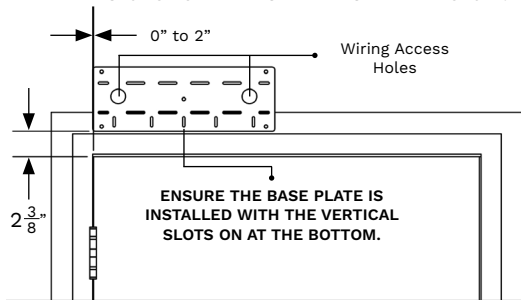
INSTALL THE BACK PLATE

2 ALIGN THE BASE PLATE ABOVE THE DOOR ON THE HINGE SIDE

- Align the Base Plate 2-3/8" vertically from the door and 0-2" horizontally from the door hinge. **ENSURE THE VERTICAL MEASUREMENT IS TAKEN FLUSH FROM THE DOOR (DO NOT TAKE THE MEASUREMENT STARTING FROM THE WEATHER STRIPPING).**

MOUNT THE BASE PLATE USING A MINIMUM OF 6 WOOD SCREWS

- Using Wood Screws (#12 x 1-1/2") attach the Base Plate by evenly spreading out the screws. **ENSURE THE MIDDLE SECTION OF THE BASE PLATE IS WELL ENFORCED.**



DRILL ACCESS HOLES FOR WIRING

- Drill two holes into the support wall at each Wiring Access Hole.

REMOUNT THE MOTOR MECHANISM

- Remount the Motor Mechanism to the Base Plate using the 5 self-clenching nuts (5/16") from Step 1.

WIRE THE DOOR OPENER

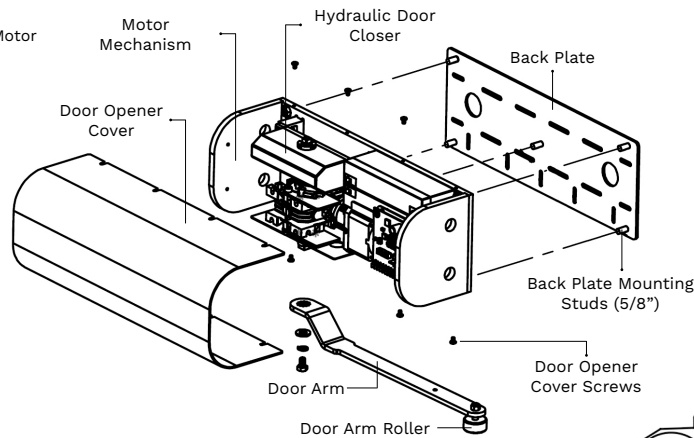
3 WIRE THE DOOR OPENER

- Wire the Door Opener according to the provided Wiring Diagram on the back of this sheet.

CONNECT TO MAIN POWER SOURCE

- Wire the Door Opener according to local codes and regulations.

REFER TO THE DOOR OPENER WIRING DIAGRAM ON THE BACK OF THIS SHEET



INSTALL THE DOOR OPENER ARM

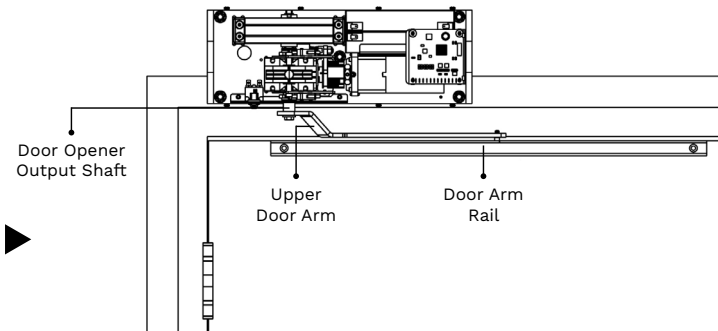
4

INSERT THE ARM ROLLER INTO THE DOOR RAIL

- Ensure to insert the Arm Roller into the Door Rail before mounting the Door Rail to the Door.

MOUNT THE DOOR RAIL AND INSTALL DOOR ARM

- Align the Door Rail as center as possible and flush with the top of the door. Mount the Door Rail to the door using Wood Screws (#12 x 1-1/2").
- Attach Upper Door Arm to the Door Opener's Output Shaft.



TEST AND INSTALL COVER

7

INSTALL THE DOOR OPENER COVER

- After testing and verifying that the Door Opener is operating properly, install the Door Opener Cover using the cover's 8 screws (#8-32 x 3/8") from Step 1.

ADJUST CLOSING AND LATCHING SPEED

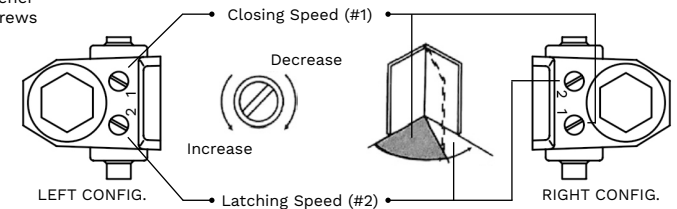
6

ADJUST CLOSING SPEED

- Door Closing speed is controlled by #1 speed.
- A clockwise turn slows the speed while a counterclockwise turn increases the speed.

ADJUST LATCHING SPEED

- Latching speed is controlled by #2 speed.
- A clockwise turn slows the speed while a counterclockwise turn increases the speed.

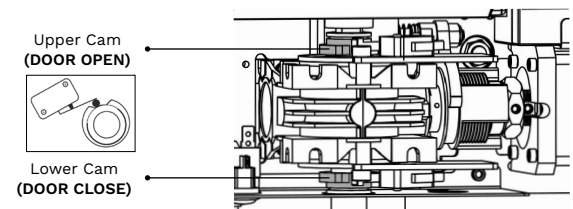


ADJUST THE CAMS

5

ADJUST DOOR CLOSE

- With the door in the closed position, adjust the Lower Cam until the Switch's Actuator Roller sits the Cam's Groove.
- The cam can be adjusted using fingers or the end of a flathead screwdriver.

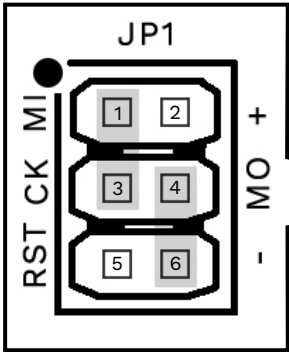


ADJUST DOOR OPEN

- With the door at 90 to 95 degree angle, adjust the Upper Cam so that the Switch's Actuator Roller sits into the Cam's Groove.

DOOR OPENER WIRING DIAGRAM

Connect the jumper to JP1-1/
JP1-3 to activate the "PUSH
and GO" functionality.



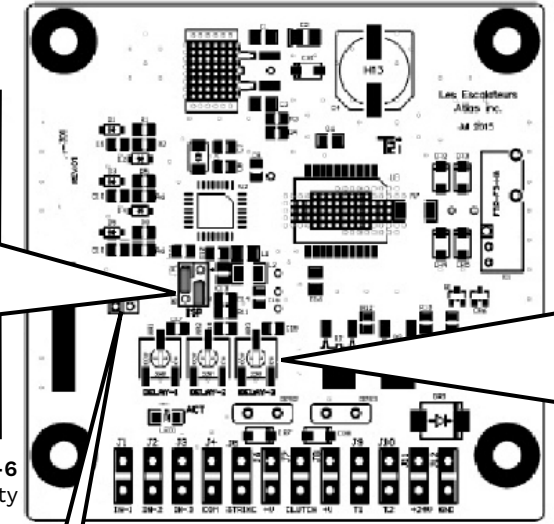
Connect the jumper to JP1-4/JP1-6
to activate the "PWM" functionality

**DO NOT INSTALL THE
JUMPER ON E1**

Call Button
(Dry contact from
Button, PLE, Remote
Control or Relay)

Door Closed

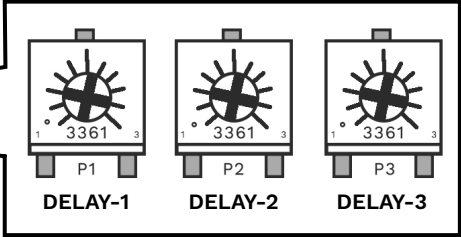
Door Opened



DELAY-1 - Door Open/Close Time
adjustment (0 to 30 seconds)

DELAY-2 - Door Stay Open Time
Adjustment (1 to 122 seconds)

DELAY-3 - Sensitivity adjustment
(Obstacle Detection)



GND
24 VCC



Solenoid
Clutch

Electric
Strike

